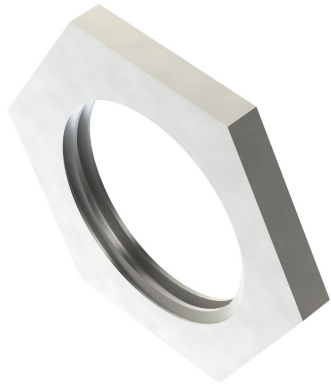


**PRODUCT CODE: LN3G**  
LOCK NUT



**DESCRIPTION**

32mm Lock Nut - Light Pattern

**FINISH**

BZP

**MATERIAL**

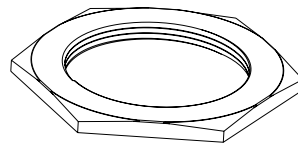
Steel

**PACKAGING**

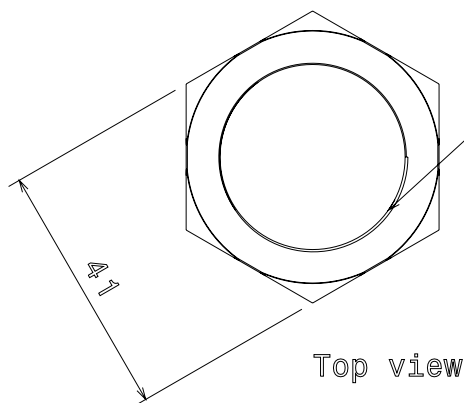
Packed in qty 100

**ADDITIONAL NOTES**

Conforms to BS EN61386-1  
Compliant to LU Standard 1-085 (for use on surface & sub-surface locations)

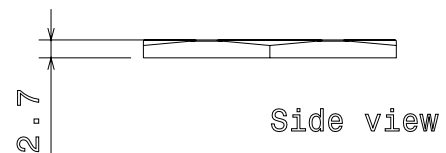


Isometric view



Top view

32mm Thread



Side view